



# ARAD LTD. DALIA - WATER METERS DIVISION

## IRRIGATION METER MODEL IRT

# IRT



**Design:** Special design with free water passage allows measurement of water with high contents of impurities.

- Features:**
- Negligible loss of head
  - Simple maintenance
  - Field replaceable measuring unit
  - Hermetically sealed register with glass lens
  - Bearings are constantly flushed during operation to eliminate deposit of solids.
  - Optional electrical output: EV (Volume) or EF (Rate of Flow)
  - Compatible with Dialog® automatic reading system

**Sizes:** 80 mm (3"), 100 mm (4"), 150 mm (6"), 200 mm (8")

### TECHNICAL SPECIFICATIONS:

- Maximum Working Pressure:** 16 Bar
- Body:** Polyester coated cast iron body
- Flange Drilling:** As per customer requirements
- Maximum Working Temperature:** 60°C

### INSTALLATION REQUIREMENTS:

- The meter can be installed in any position (horizontal, vertical or inclined)
- The meter must be always full of water while operating.
- Prior to the installation of a new meter, the pipeline must be flushed out.

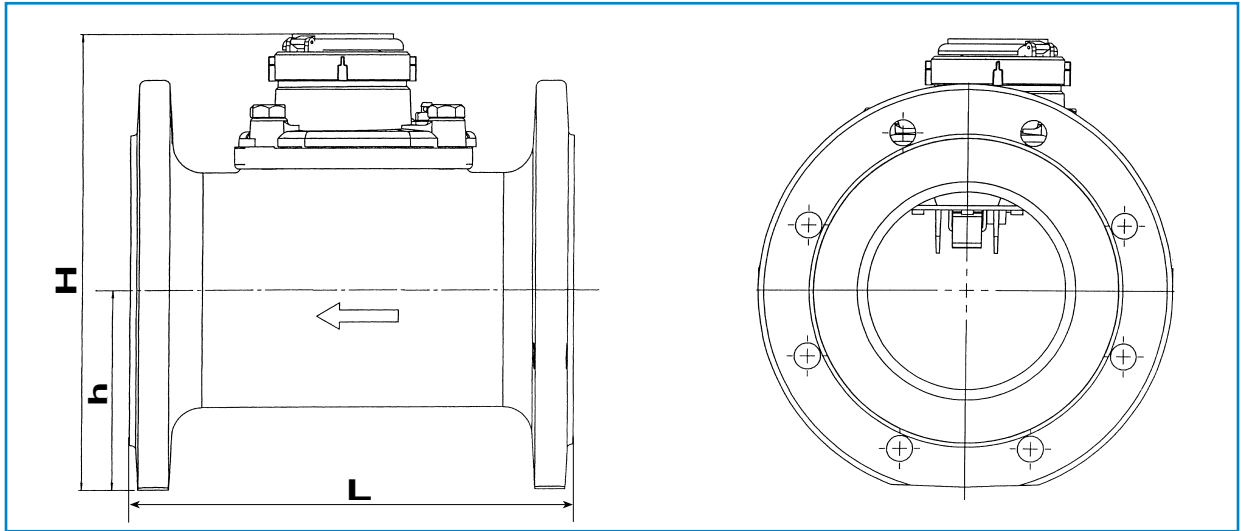


ARAD LTD. DALIA

WATER MEASURING TECHNOLOGIES



# D I M E N S I O N S



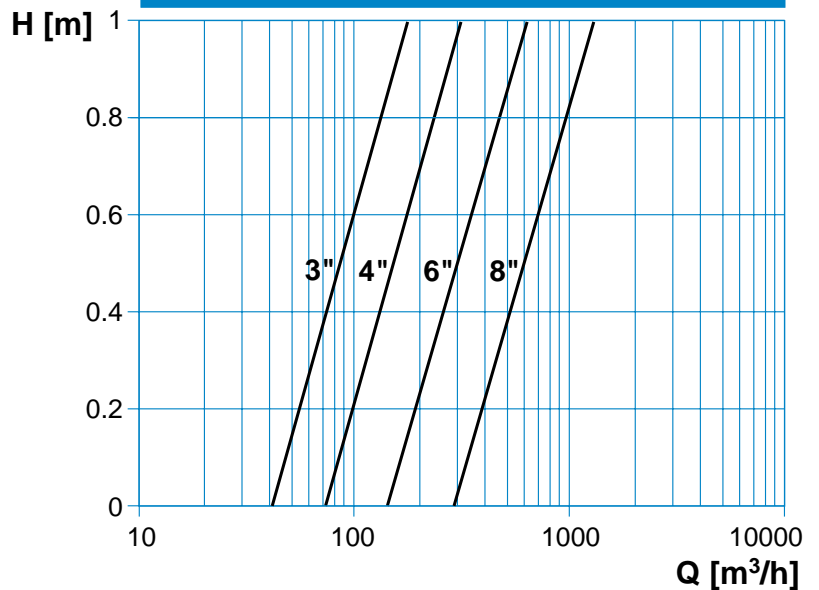
## D I M E N S I O N S

Nominal Size	mm	80	100	150	200
	Inch	3"	4"	6"	8"
<b>H</b>	mm	240	260	310	315
<b>h</b>	mm	90	110	129	160
<b>L</b>	mm	230	250	300	350
<b>Weight</b>	kg	18.3	23	33	53

## P E R F O R M A N C E D A T A

Nominal Size		mm	80	100	150	200
		Inch	3"	4"	6"	8"
Permissible peak load for short periods	Qmax	m <sup>3</sup> /h	150	250	500	900
Nominal flow rate	Qn	m <sup>3</sup> /h	90	125	250	450
Lowest flow rate measured within ±2%	Qt	m <sup>3</sup> /h	10	11	15	30
Lowest flow rate measured within ±5%	Qmin	m <sup>3</sup> /h	5	7	10	18

## L O S S O F H E A D C U R V E S



TD-120 6.99 IRT

