



Woltman Turbo - Water Meter Model WT

A family of compact size woltman water meters with field interchangeable lightweight measuring units.

Features:

- High accuracy, low loss of head and high immunity against abrasive media in the water due to double magnetic coupling. This unique construction leaves only one moving element, the impeller, in contact with water. The next moving components, including the worm & worm wheel, are kept in a sealed, dry compartment and have no contact with any abrasive media present in the water.
- Tungsten carbide impeller shaft tips & bearings for negligible wear in Heavy Duty use are standard on 10" & 12" and optional on all other sizes.
- A wide selection of sealed, magnetically coupled registers, with two dial configurations (3 pointers or single central pointer) and different electrical output versions, single or multiple, are available.
- Registers are: Stainless steel/glass encapsulated and guaranteed against fogging.

Applications

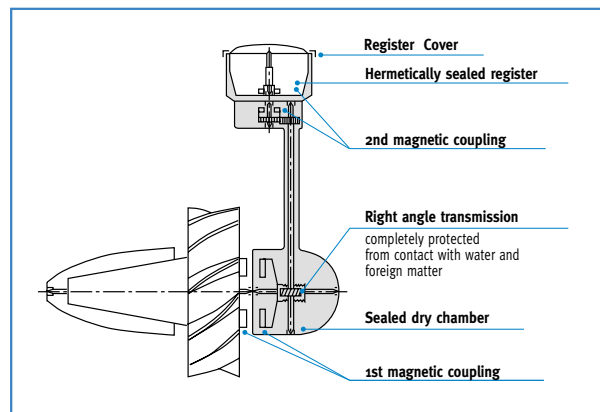
Water supply networks, agricultural application and industrial use.

Available Sizes

2" -12" (50mm - 300mm)

Standards

ISO 4064, AWWA, EEC



Technical Specifications

Maximum Working Pressure	Standard - 16 bar Upon request – 25 bar
Maximum Liquid Temperature	60°C
Body	Cast iron, polyester coated. Optional - bronze (AWWA standard).
Connection	Flanges according to ISO, BS 10, AWWA or others.



WT type dial



► Woltman meters

WT

Irrigation & Agriculture

Compound meters

Fire Service meters

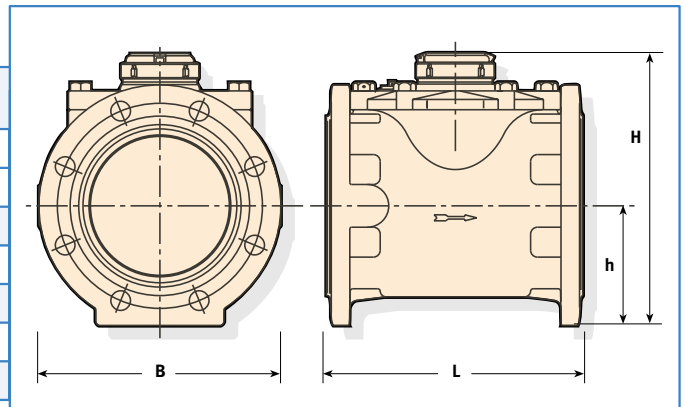
Electromagnetic & Ultrasonic

⦿ Performance data:

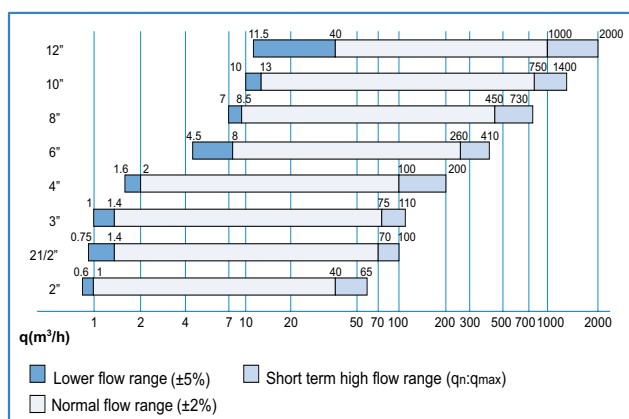
Model WT	Nominal Size		Qmax Maximum flowrate (m ³ /h)	Qn ISO 4064 (m ³ /h)	Qn Nominal Flowrate (m ³ /h)	Qt Transitional Flowrate (m ³ /h)	Qmin Minimum Flowrate (m ³ /h)	Starting Flow (m ³ /h)	Maximum register capacity (m ³)	Smallest readable unit (liter)	Accuracy between Qmax & Qt	Accuracy between Qt & Qmin
	mm	inch										
50	2		65	15	40	1	0.6	0.35	10 ⁶	1	±2%	±5%
65	2½		100	25	70	1.4	0.75	0.4	10 ⁶	1		
80	3		110	40	75	1.4	1	0.4	10 ⁶	1		
100	4		200	60	100	2	1.6	0.6	10 ⁷	10		
150	6		410	150	260	8	4.5	1.8	10 ⁷	10		
200	8		730	250	450	8.5	7	2	10 ⁸	100		
250	10		1400	300	750	13	10	6	10 ⁸	100		
300	12		2000	400	1000	40	11.5	7	10 ⁸	100		

⦿ Dimensions

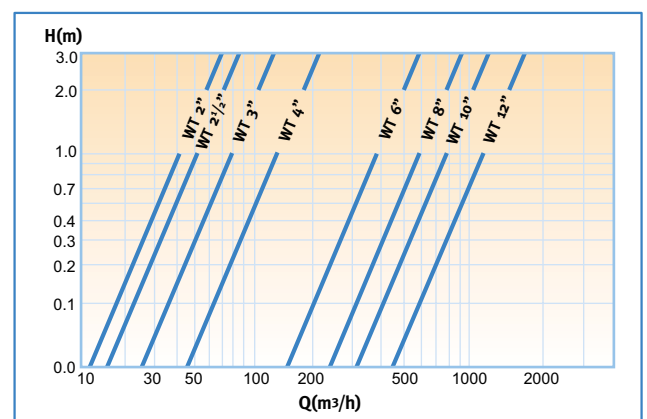
Model	WT								
Nominal size	(mm)	50	65	80	100	150	200	250	300
	(inch)	2	2½	3	4	6	8	10	12
L – Length (mm)		200	200	230	250	300	350	450	500
B – Width (mm)		165	185	200	200	283	340	406	460
H – Height (mm)		214	228	234	250	310	338	438	465
h – Height (mm)		70	84	90	106	130	158	258	330
Weight (kg)		12	13	15.5	19	35	47	75	95



⦿ Flow Limit



⦿ Head Loss Curve



⦿ Installation Requirements

- The water meter may be installed in any position. For non-horizontal positions the flow shall be upwards.
- The meter shall be full of water while operating.
- Prior to installation of a meter, the pipeline shall be thoroughly flushed.
- Straight pipe section of the same diameter D as the meter, having length of 10D and 5D shall be installed upstream and downstream of the meter respectively.

